

Industrial Dual-SIM Cellular Router with 5 ETH Ports

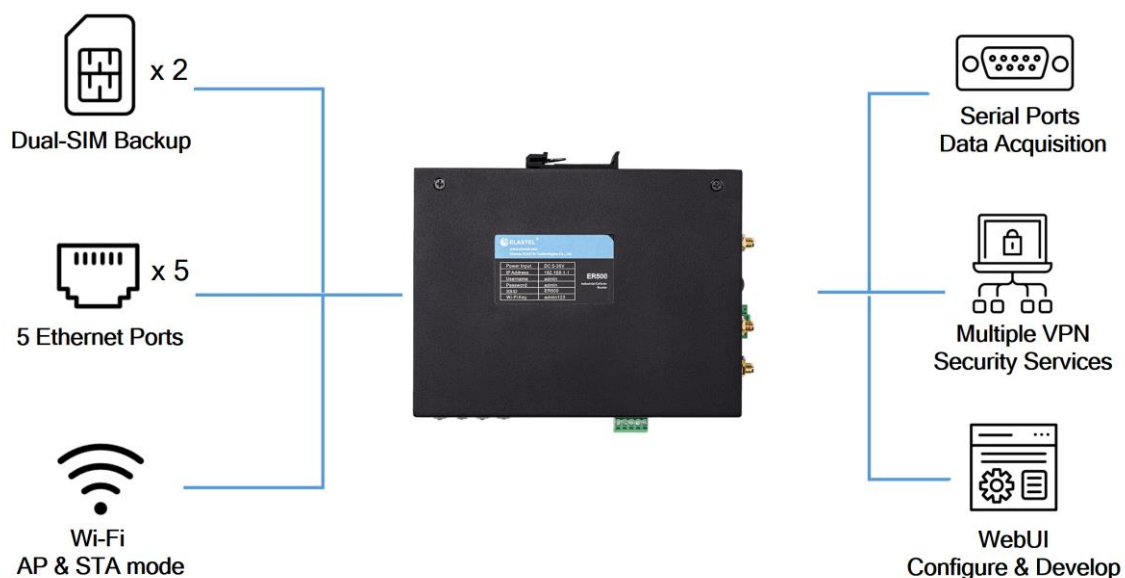
- Global 4G LTE/ 3G/ 2G, CAT4, CAT M1, NB-IoT networks compatible
- 5x 10/100 Mbps Ethernet ports (1-WAN + 4-LAN, or 5-LAN), WiFi
- plug-and-play easy to use, webUI based configuration and serial-to-ip program
- Compact size with DIN-Rail and panel mounting Supported
- -35°C to +75°C Operating Temperature, 5-36V VDC wide range power inputs, watchdog and reliable connectivity technology for industrial environment



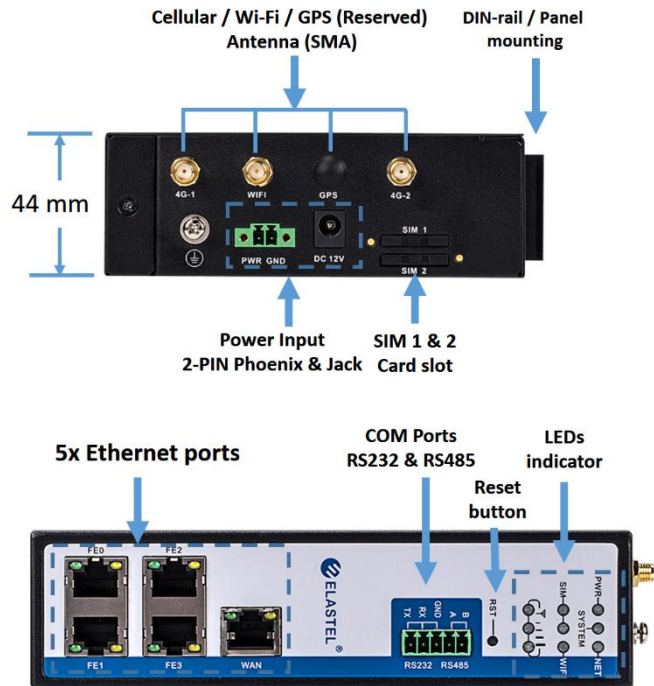
Introduction

The Elastel Elink series industrial cellular router ER500, is a dual-SIM cellular router that integrates global 4G LTE, with 5x 10/100 Mbps Ethernet ports and Wi-Fi support, also extended 1xRS232 and 1xRS485 serial ports for industrial usages.

Designed to support dual-SIM for global 4G LTE networks, ER500 Seamlessly switch between SIM cards to ensure uninterrupted connectivity and reliability. Offering both 5x ETH ports and serial ports, equipped with an OpenWRT based configurable OS, enabling smooth data transmission and compatibility with a wide range of devices in any kinds of industrial applications.



Appearance



Specifications

Hardware Platform	
CPU	MediaTek@ 580MHz
DRAM	128MB DDR2
Storage	32MB
Wireless	
Cellular module Slots	1 x mPCIe slot for Cellular module
SIM Slot	2 x Mini SIM (25mm*15mm); 15KV ESD protection

Band Options	<p>NA: 4G LTE FDD@ B2/B4/B12/B13; 3G WCDMA@ B2/B4/B5; Carrier Approval: Verizon, AT&T</p> <p>EMEA/APAC: 4G LTE FDD@ B1/B3/B7/B8/B20/B28A; 4G LTE TDD@ B38/B40/B41; 3G WCDMA@ B1/B8; 2G GSM@ B3/B8;</p> <p>ANZ/LATAM: 4G LTE FDD@ B1/B2/B3/B4/B5/B7/B8/B28; 4G LTE TDD@ B40; 3G WCDMA@ B1/B2/B5/B8; 2G GSM@ B2/B3/B5/B8;</p> <p>Other options please contact Elastel representative.</p>
Wi-Fi	IEEE 802.11b/g/n, 150Mbps
Wi-Fi mode	Support AP and Client modes
Antenna Connector	2x 4G Cellular, 1x Wi-Fi, 1xGPS (Reserved)
Interfaces	
Ethernet Ports	5 x 10/100 Mbps Ethernet for LAN/WAN configurable; 1.5KV network isolation transformer protection;
Serial Ports	1-RS232, 1-RS485; 5-PIN industrial terminal block; 15kV ESD protection;
Reset Button	1x Pinhole reset button
Power Parameters	
Power Supply	DC5-36V, over-current protection, anti-reverse connection; 2 PIN terminal block and Jack connectors;
Power Consumption	Working Mode: 250~310mA@12V DC; Standby Mode: 150~230mA@12V DC;
Indicators	
LED Indicators	9 LEDs (Power, System, NET, SIM1/SIM2, WiFi, 3x Signal Strength)
Physical Characteristics	
Dimensions	126 × 44 x 166 mm (L×W×H)
Housing	IP30 Metal
Installation	DIN-rail mounting Panel mounting
Weight	670g
Environmental Limits	
Ambient Relative Humidity	5 to 95% (non-condensing)
Operating Temperature	-35 to 75°C (-31 to 167°F)
Storage Temperature	-40 to 85°C (-40 to 185°F)

Reliability	
Alert Tools	External RTC with Backup button battery
Automatic Reboot Trigger	External WDT (watchdog timer)
MTBF	≥100,000 Hours
Package Contents	
Device	1 x ER500 device with Terminal Block preinstalled
Antenna	2x Mag-mount Cellular Antenna (SMA Male, 1 meter, 12dBi), 1x RP-SMA WIFI Antenna
Installation Kit	Panel mount kits (DIN-rail mount kits optional)
Power Adapter	DC 12V/1A (optional)
Software Features	
OS	ElastOS (OpenWRT based) with Serial-to-IP Data Acquisition programs
Configuration management	WebUI, Local CLI, Remote configuration, factory reset/backup, Syslog local/remote export
Network Protocols	PPP, PPPoE, SNMP v1/v2c/v3, TCP, UDP, DHCP, RIPv1/v2, OSPF, BGP, DNS, DDNS, HTTP, ARP, QoS, SNTP, Telnet, SSH...
VPN	PPTP, L2TP, GRE, IPSEC VPN (IKEv1/IKEv2), OPENVPN protocols, Supports CA digital certificate
Serial to IP	Modbus RTU/TCP Data acquisition, MQTT, HTTP, OPC UA
Reliability & Security	WWAN and WAN Failover, multi-layer detection and auto recovery mechanism, firewall, ACL, port mapping, virtual IP mapping, IP-MAC binding
Secondary Development	OpenWrt based OS with SDK support
Warranty	
Warranty Period	1 year

About Elastel

Elastel Technology Ltd is a global leading design and manufacturing company providing industrial-quality wireless solution for IoT and M2M. Founded in 2018, Elastel leverages its independent research and development and innovation to pursue its core mission: “Streamline IoT communication development, shorten and simplify the process of system implementation”

The company’s high-quality industrial Computer & Gateway hardware and software service enhance the IoT communication efficiency and competitive advantages of its customers all over the world.

Copyright

Copyright © 2023 ELASTEL (XIAMEN) TECHNOLOGIES CO., LTD.

Copyright © 2023 Elastel (Xiamen) Technologies CO., LTD. All rights reserved. No parts of this publication may be reproduced or transmitted in any form or by any means, electronic or mechanical, photocopying, recording, or otherwise, for any purpose, without the express written permission of Elastel (Xiamen) Technologies CO., LTD.

Technical Support

Send email to Elastel Support center (support@elastel.com) for firmware upgrade, product documents, FAQ, technical support and more.